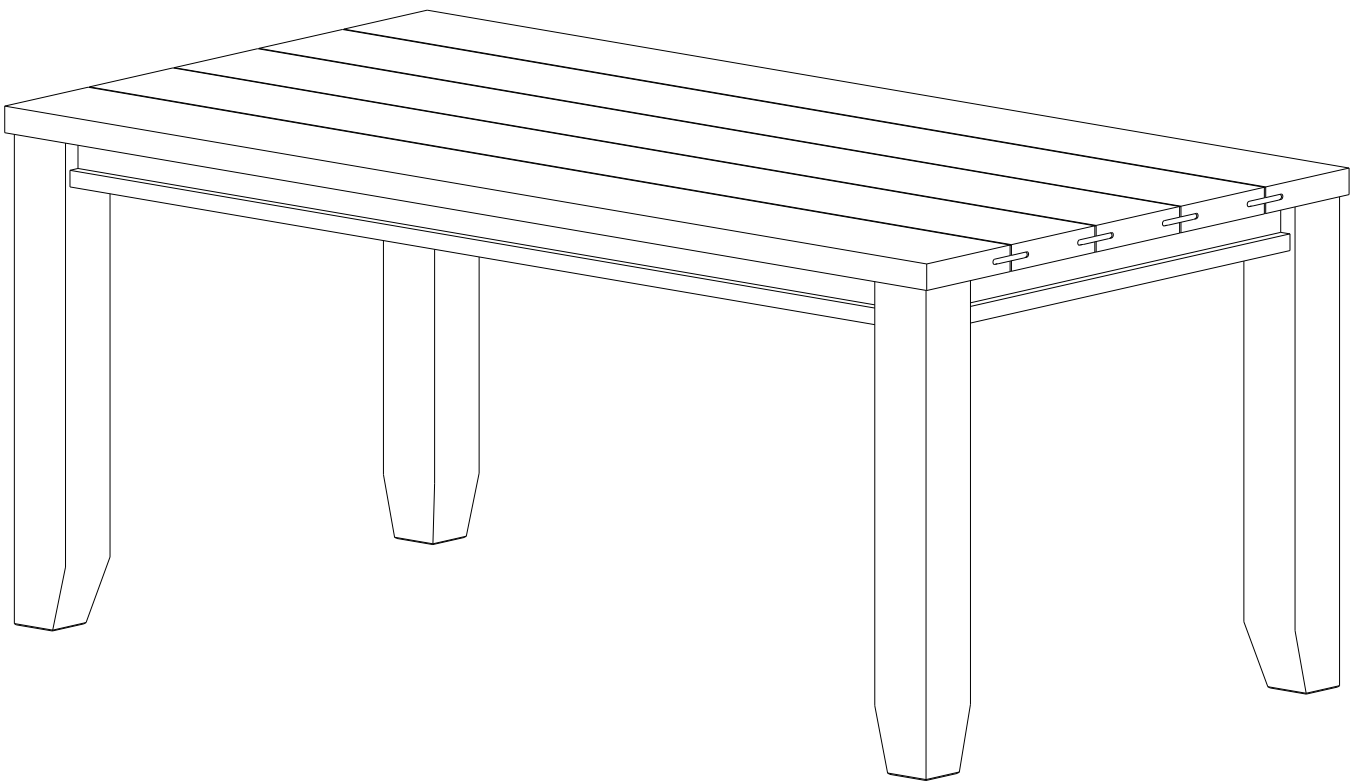


ASSEMBLY INSTRUCTIONS



Description : 1.8M DINING TABLE
Dimension : 950mmx1800mm

1.8M DINING TABLE

BEFORE ASSEMBLY

Thank you for purchasing this Kruger Moon quality product. This product has been designed for easy assembly and constructed for durability. Please take the time to read and follow the assembly instructions carefully.

Be sure to check all packing material carefully for small parts, which may have come loose inside the carton during shipment. Please separate, identify, and count all parts and metal hardware. Compare with part list to be sure all parts are present. If hardware is missing or you have difficulty assembling this product, please call Super Amart 1800 351 084

IMPORTANT NOTE:

- Place all wooden parts on a clean and smooth surface such as a rug or carpet to avoid the parts from being scratched.
- Remove all wrapping material, including staples & packing straps before you start to assemble.
- DO NOT tighten all screws, bolts until all completely assembled.
- Keep all hardware parts out of reach of children

PARTS LIST

When unpacking, please carefully not to discard any parts with the packaging. Before continuing, please make sure you have all of the following parts:

NO	Description	Qty	NO	Description	Qty
A	Top	1	B	Leg	4

HARDWARE LIST

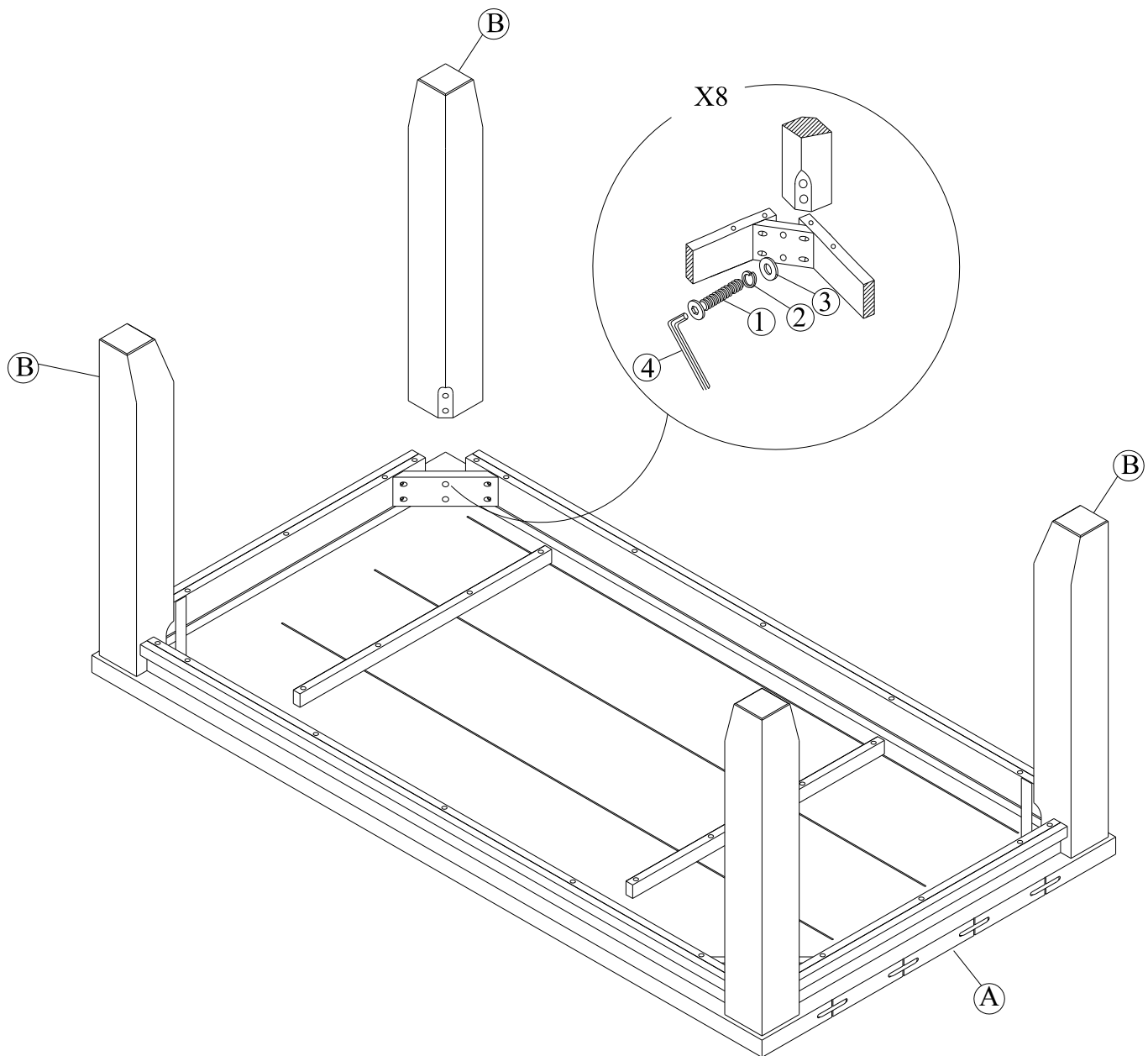
When unpacking, please carefully not to discard any parts with the packaging. Before continuing, please make sure you have all of the following hardware:

NO	Description	Qty	NO	Description	Qty
1	Bolt (M8x70mm)	8	2	Lock washer (Φ 8.5x Φ 13mm)	8
3	Flat washer (Φ 8.5x Φ 19mm)	8	4	Allen key (4mm)	1

1.8M DINING TABLE

STEP 1

Place legs (B) in position as shown below. Use bolts (1) and washers (2),(3) to attach legs, tighten with the Allen key (4).



1.8M DINING TABLE